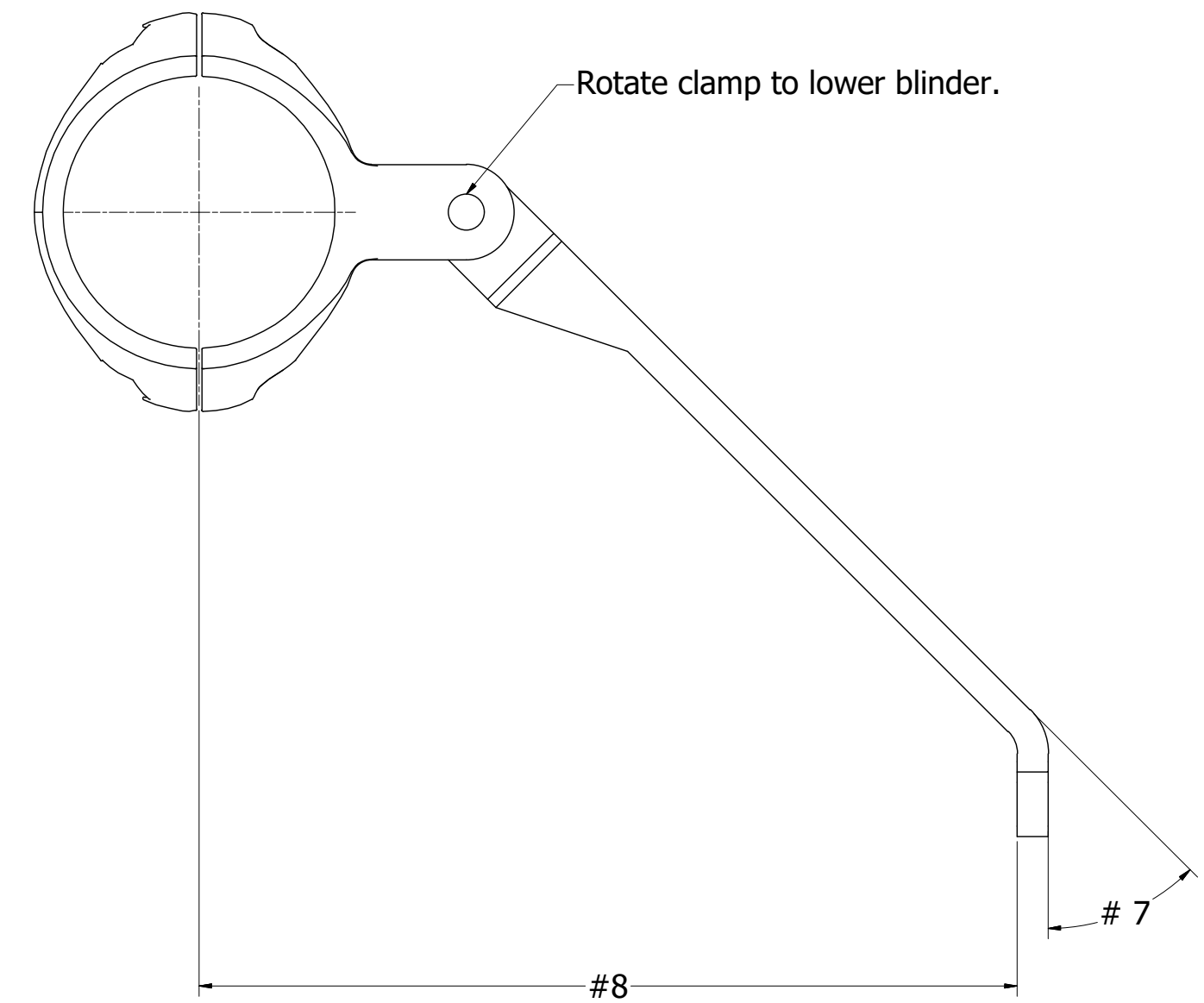
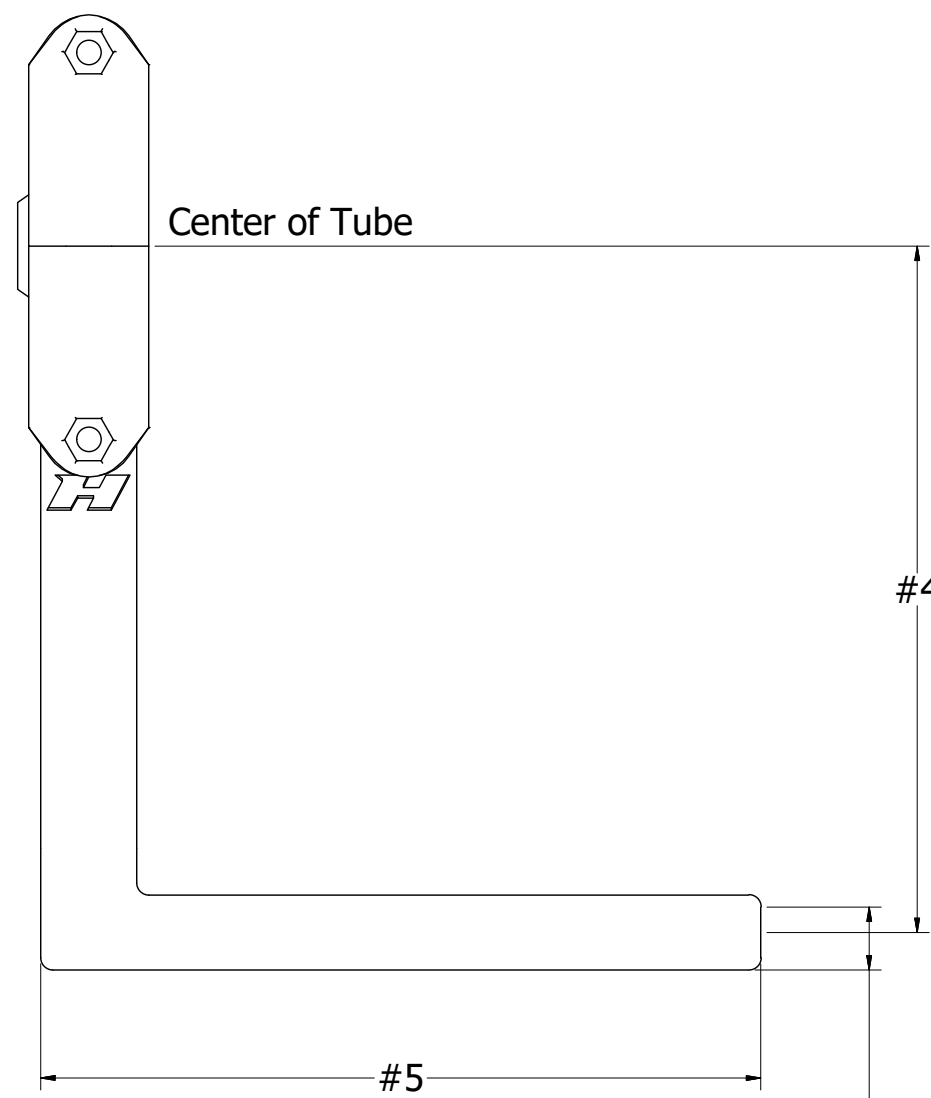
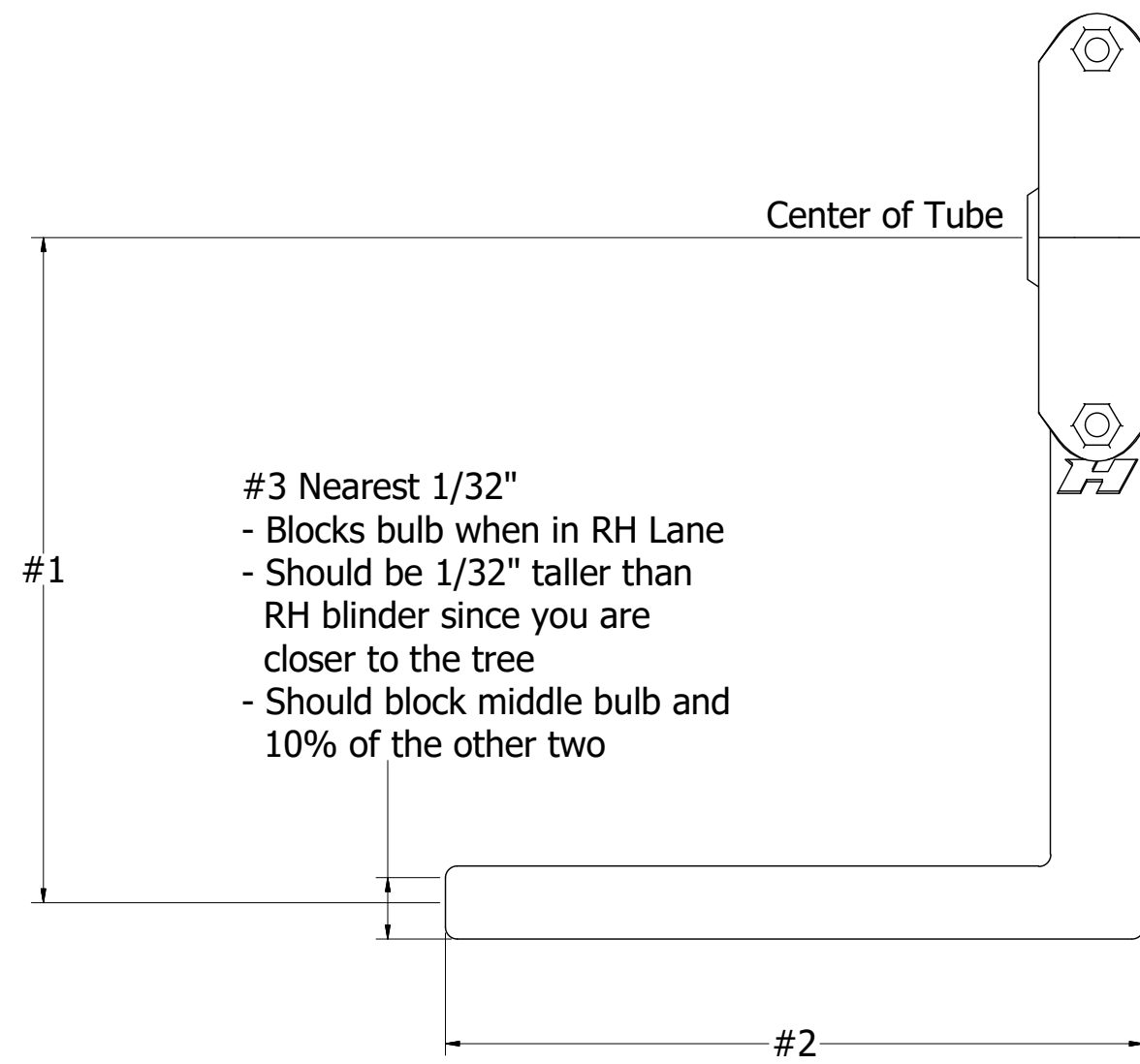


Clutch Car Blinder Table	
Dimension	Notes
1	Example is 3 3/4"
2	Example is 3 5/8"
3	Nearest 1/32" needed
4	Probably the same as Dimension 1
5	Probably the same as Dimension 2
6	Nearest 1/32" needed
7	Example is 45 Degrees
8	Example is 5 1/2"

LH Blinder

RH Blinder



#6 Nearest 1/32"
 - Blocks bulb when in LH lane
 - Should be 1/32" shorter than LH blinder since you are farther from the tree
 - Should block middle bulb and 10% of the other two