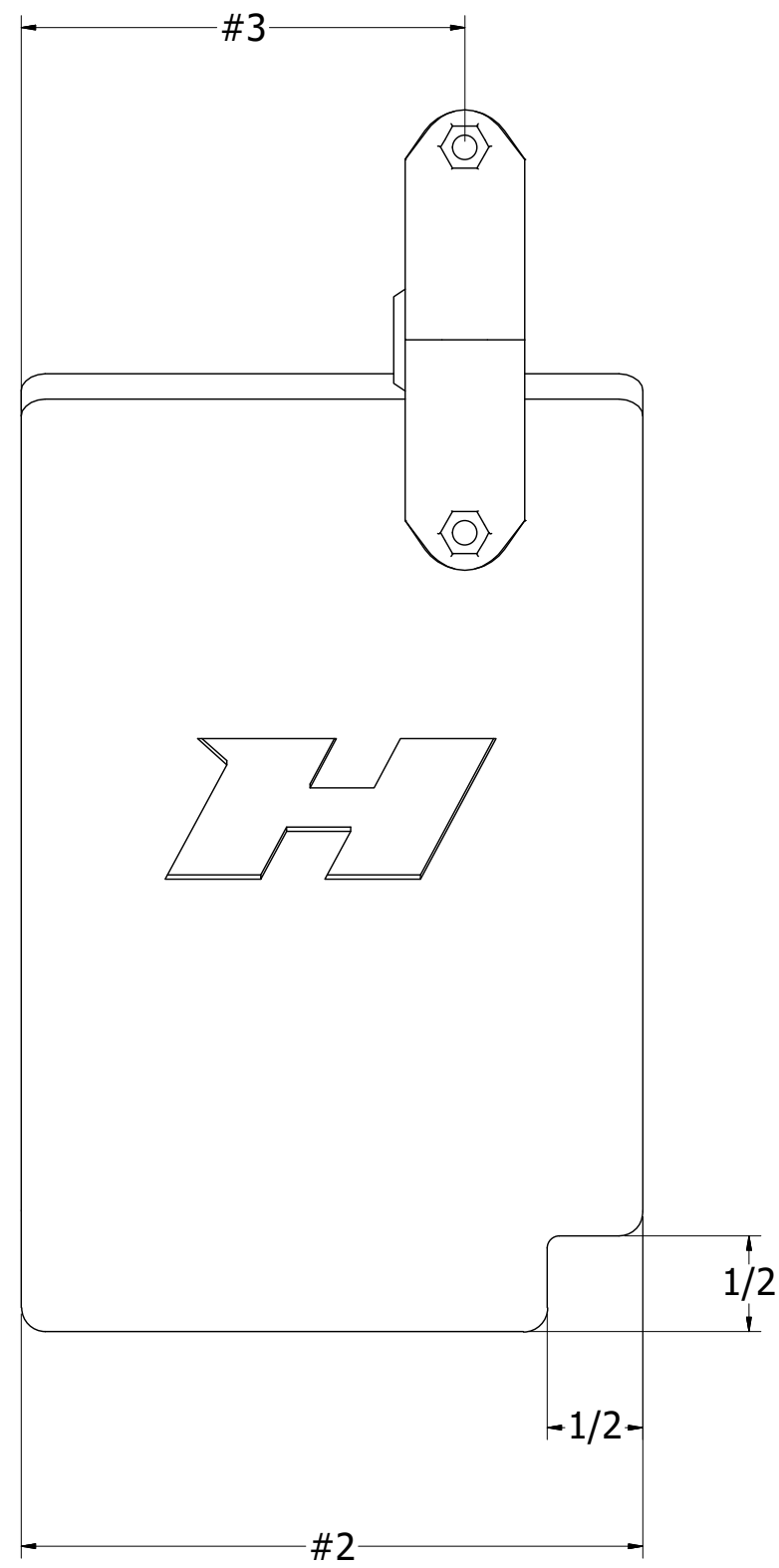
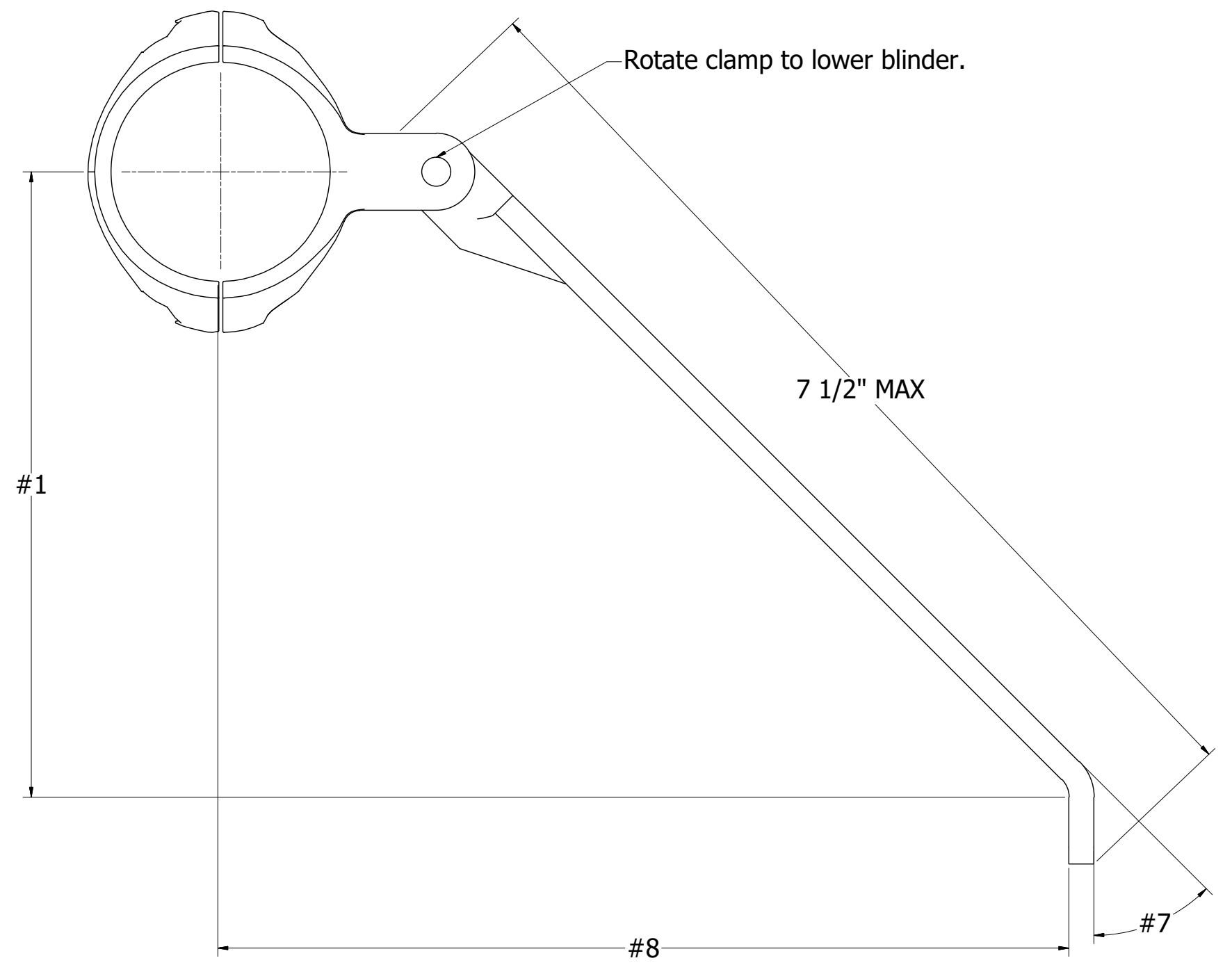
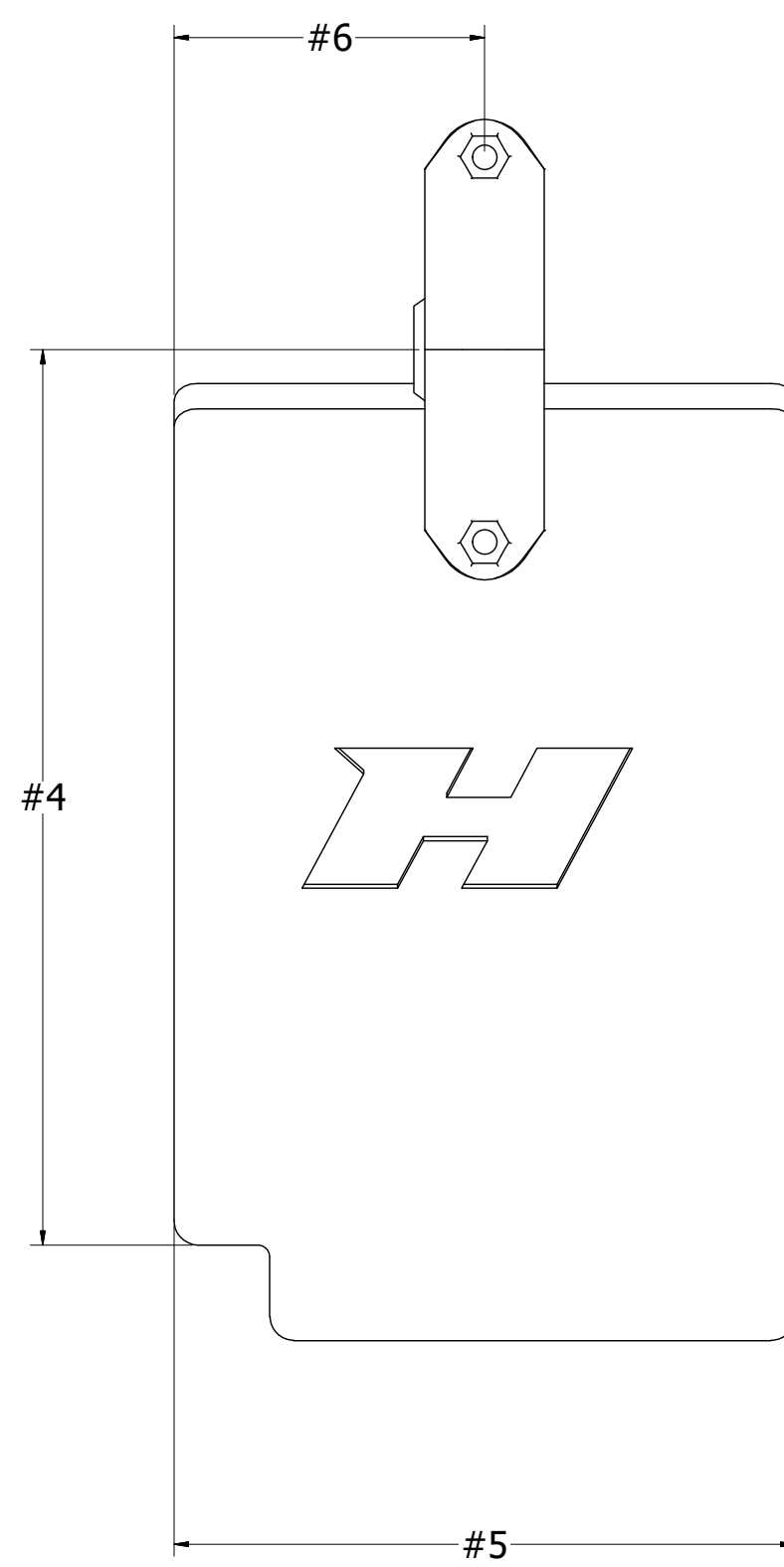


Automatic Car Blinder Table	
Dimension	Notes
1	Example is 4 3/4"
2	Example is 3 1/4"
3	Offset for LH Blinder, for rollcage
4	Probably the same as Dimension 1
5	Probably the same as Dimension 2
6	Example is Centered
7	Example is 45 Deg
8	Example is 6 3/8"

LH Blinder Notched



RH Blinder Notched



Rotate clamp to lower blinder.

7 1/2" MAX

#7

#8

#1

D

D

C

C

B

B

A

A

4

3

2

1

4

3

2

1